

Series	Elite Workstation
Material	16 Gauge, Type 304 stainless steel
Installation Type	Apron front
Configuration	Single bowl
Finish	Satin brushed finish
Overall Dimensions	33" x 21" x 10"
Bowl Dimensions	31" x 16" x 9 3/4"
Drain Size	3 1/2"
Finishes Available	Stainless Steel, Gunmetal Black
Minimum cabinet size	33"
Template Included	No
Clips Included	No
Drain Location	Rear
Accessories Included	Strainer, Bottom grid, Drying rack and Cutting board

Shown in Stainless Steel



MODEL	ACCESSORY
WSA-45-D1-PK1	Strainer - L-1GG
WSA-45-D1-PK1	Bottom Grid - GR-3246GG
WSA-45-D1-PK1	Cutting Board - CB1711AC
WSA-45-D1-PK1	Drying Rack - DR1713DG
WSA-45-PK1	Strainer - L-1
WSA-45-PK1	Bottom Grid - GR-3246
WSA-45-PK1	Cutting Board - CB1711SW
WSA-45-PK1	Drying Rack - DR1713

MODEL	FINISH
WSA-45-D1-PK1	Gunmetal Black
WSA-45-PK1	Stainless Steel

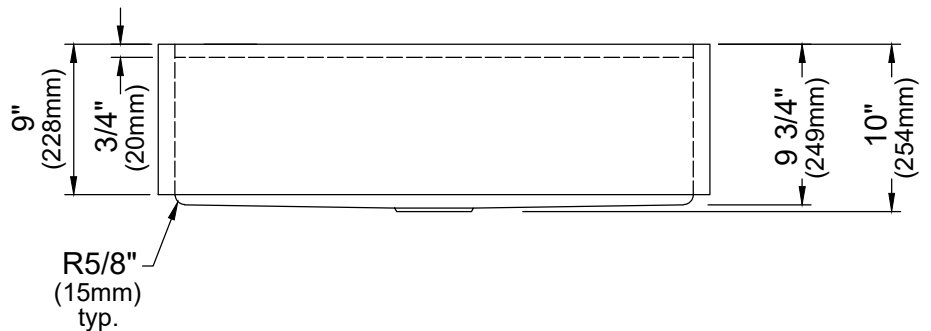
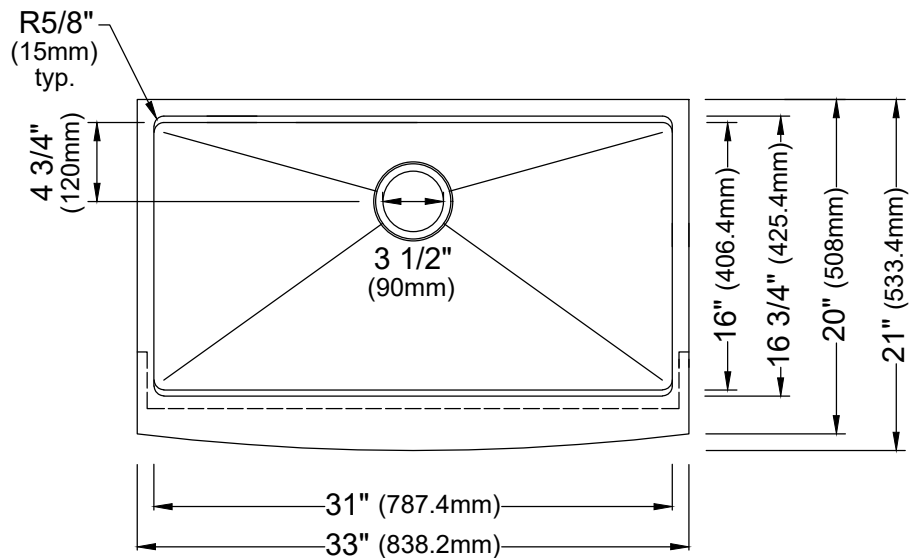
Stocked Color Options



Stainless Steel



Gunmetal Black



Listing and certifications:
cUPC

Limited lifetime warranty