



⚠ For installation help, missing or replacement parts -
PLEASE CONTACT KARRAN FIRST

1-866-452-7726
info@karran.com

Register Online:

www.karran.com/productregistration

Tools you may need:



Installation Guide

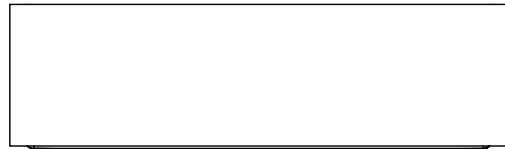
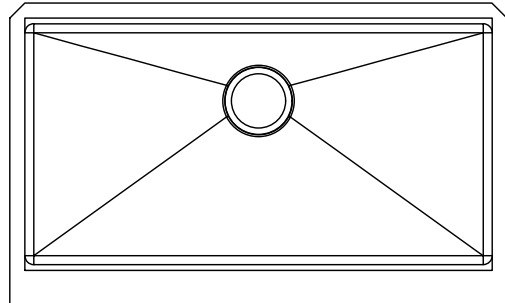


Image is for reference only

MATRIX FARMHOUSE WORKSTATION STAINLESS STEEL KITCHEN SINK

HSU3320SB

Save this instruction sheet for future reference

REV. 03/02/2026

We reserve the right to update product installation instructions without notice. Please visit karran.com for the most current installation instructions.

Read these instructions thoroughly before you begin.

Always inspect the sink closely for damage prior to installing. Do not install a damaged sink.

Take care when handling a stainless steel sink as they may have sharp edges.

Adhere to all local building and plumbing codes.

This product is likely to perform best when installed by a licensed professional. The failure to follow these instructions or to hire a professional when needed may result in personal injury or property damage and may void the warranty.

When installing into any type of countertop material, always use a quality silicone sealant and clips provided with your sink.

Specialized tools may be necessary to install a stainless steel sink with countertop materials such as wood, marble or granite.

STAINLESS STEEL SINK CARE AND MAINTENANCE

Your Karran stainless steel sink is manufactured from the highest quality nickel bearing stainless steel. With the right care it will last a lifetime. All Karran sinks have a lustrous satin brushed finish which is easy to maintain and clean.

DO

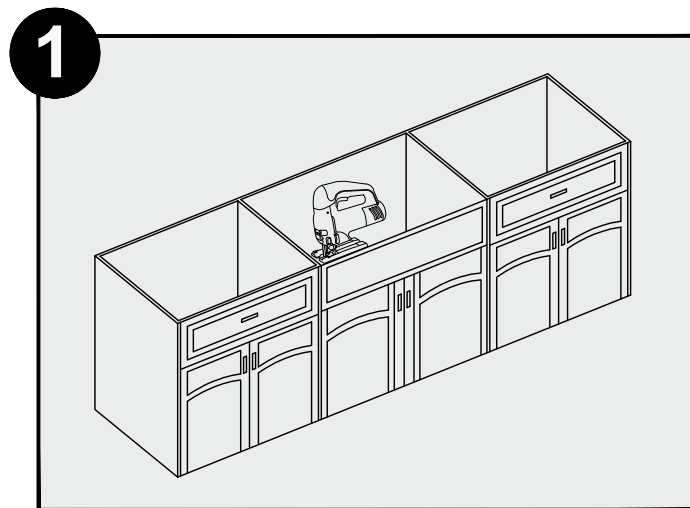
- Many cleaners work well with Karran stainless steel sinks. All that is generally required is a simple liquid soap and a dish rag. Some of the cleaners that also work, only if needed, are Bar Keeper's Friend™, Comet™, Soft Scrub™, 3M Scotch-brite pad and a Mr. Clean™ Magic Eraser. IMPORTANT NOTE - These more abrasive cleaners should not be used on any PVD colored stainless steel sinks. This may damage the surface of your PVD colored sink and void the warranty.
- The most important maintenance requirement for any stainless steel sink is to thoroughly rinse and wipe out the sink after each use with a dish rag or paper towel. Remaining water, food, soap residue and mineral deposits may remain on your sinks surface after use if not rinsed thoroughly, and if left there may mark your sink, requiring more intensive cleaning later.
- When scouring your sink (with a 3M Scotch-Brite™ pad), which may be done periodically only if needed, ensure that you rub in the direction of the satin finish grain lines.

DON'T

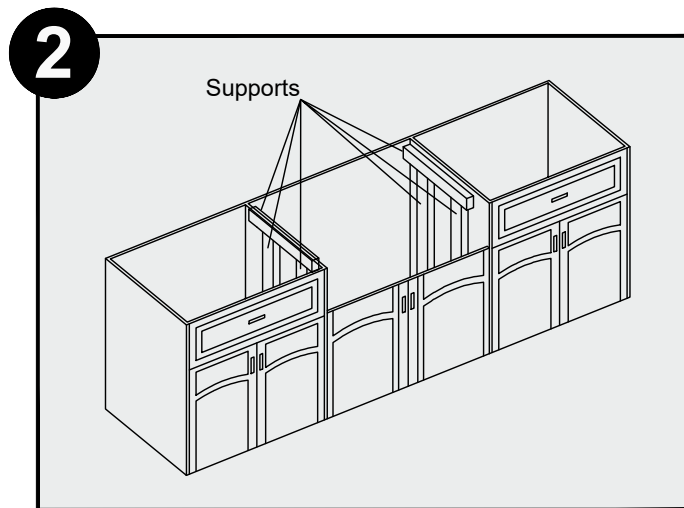
- Do not scour across the satin finish grain lines. This will damage the lustrous satin finish of your sink.
- Never leave soaps, detergents or other cleansers on your sink's surface to dry. Most contain chlorides and chemicals that could, if left on the sink's surface, damage it.
- Do not soak your sink with solutions of bleach. Bleach, and most soaps and detergents, contain chlorides that will damage your sink if left on the surface for an extended period of time.
- Do not use steel wool on your sink. Steel wool can break down and leave small steel particles on your sink's surface that will rust. If aggressive cleaning is needed, use a 3M Scotch-Brite™ pad.
- Do not leave wet sponges and cloths in your sink. They may lead to surface rust.
- Water quality in your area may affect your sinks appearance. When water has a high iron content, it may leave a brown stain on your sink. Over softened water will leave a white film on the sink's surface. Thorough rinsing and towel drying will help alleviate these issues.
- The use of rubber mats is not recommended as they may cause possible pitting or surface rust. If mats are used, remove them from your sink after each use.
- Stainless steel, like all metallic surfaces, will scratch. These scratches will blend into the overall satin finish of your sink over time. Do not use your sink as a cutting board or chopping block. This type of use may cause deep scratches in the finish of your sink.

Follow these simple maintenance tips to keep your sink looking its best for years.

The following outlines how to install an apron front sink into a 33" wide farmhouse sink base cabinet. It is recommended that only experienced installers be used to install your new apron front sink. Due to the custom nature of this installation, no cutout template is included with your sink. We require that you provide your cabinet maker with the actual sink prior to the fabrication/installation of the cabinetry. It is also recommended that the sink is installed with a flush or positive countertop reveal. It is further recommended that the installer discuss this with the customer and agree that this finished appearance is the desired effect. Karran is not responsible for improper sink or countertop installations.

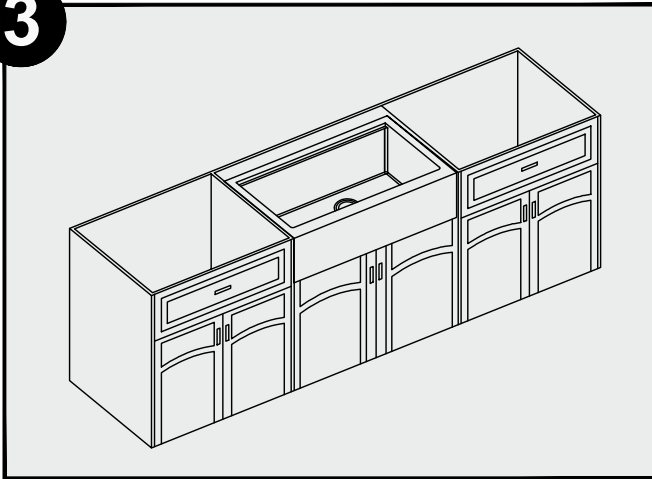


Measure the width and height of the apron front. Add 1/16" to these dimensions. Tape off the face of the cabinet with painters tape then mark the face of the cabinet with this cutout size. This cutout should be flush to the top of the face frame and centered left to right. Carefully make the cutout using a jigsaw. Sand the edges of the cutout to ensure they are clean and straight.



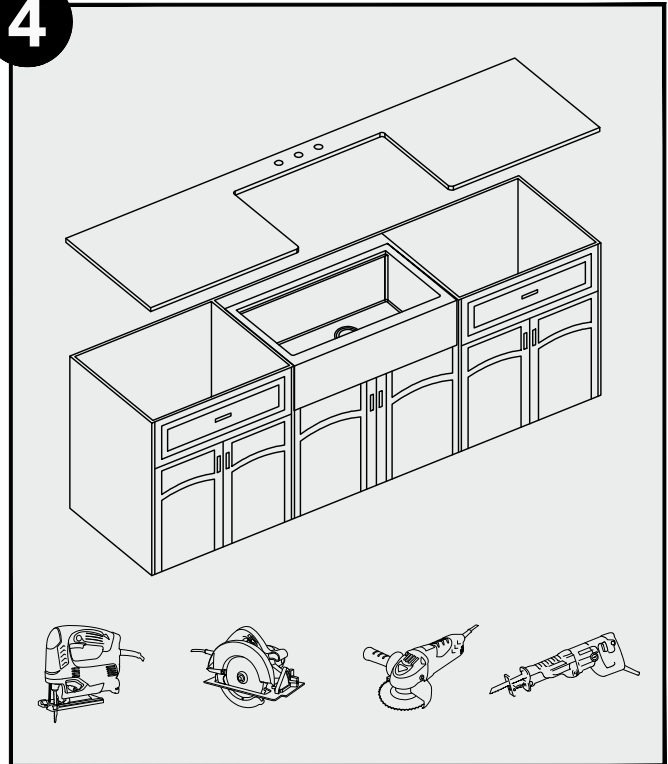
Measure the thickness of the sink's side rims. They are approximately 1/16" thick. Position horizontal wood support strips this measured distance below the top of the side walls of the cabinet. Screw in securely. Place vertical support strips between floor of the cabinet and the horizontal support strips to provide additional support.

3



Place the sink in the opening. The weight of sink should be sustained by the built supports. Make sure sink is level from front to back and side to side. Ensure the top surface of the sink rim is flush with the tops of the cabinet walls. Position the sink so that the sides of the apron are recessed into the face frame of the cabinet by an appropriate amount depending on personal preference.

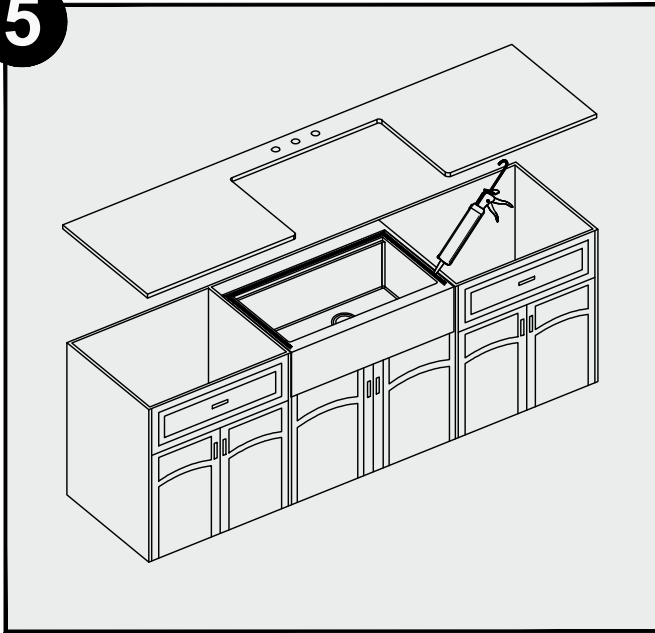
4



Template the sink and countertop for fabrication once the sink is installed in the sink base cabinet. Cut the opening in the countertop based on the sinks actual measurements.

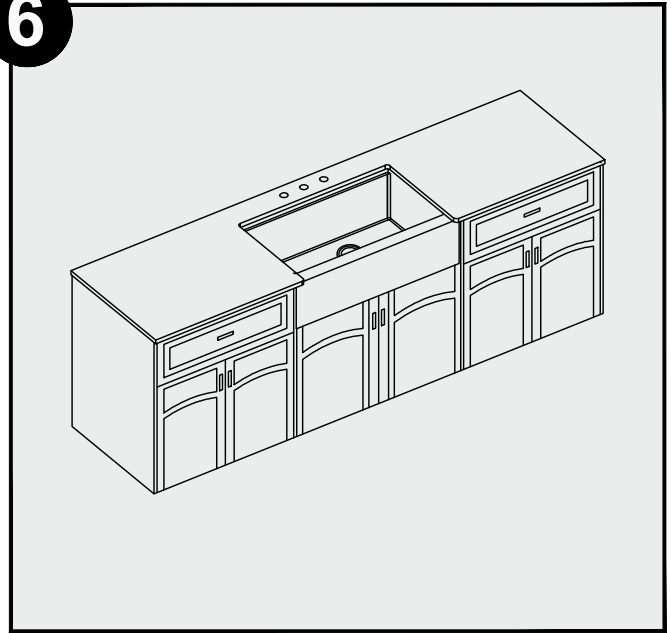
NOTE: Cut the countertop using the appropriate cutting tools.

5



Use a bead of silicone (or preferred adhesive) around the rim of the sink. Check the alignment of the sink to the cutout in the countertop. Place the countertop cutout hole over the sink and press firmly. Remove excess silicone with a wet rag.

6



Install your faucet following the manufacturer's instructions.



Warranty

Products Subject to this Limited Warranty

This Limited Lifetime Warranty applies only to sinks manufactured and sold by Karran USA (the "Company") (the "Products").

Who is Entitled to this Limited Lifetime Warranty

The Company grants this Limited Lifetime Warranty solely in favor of the original purchaser of the Products (the "Original Purchaser"), but to no other person or entity whatsoever. No person or entity, other than the Original Purchaser, shall have any right to assert any claim under this Limited Lifetime Warranty, or otherwise, in connection with the Products. This Limited Lifetime Warranty is personal to the Original Purchaser and may not be transferred by the Original Purchaser to any other person or entity, by contract, operation of law, transfer of the property into which the Products are installed, or otherwise.

Commercial Warranty

The Company warrants its Products for a period of (1) year to commercial purchasers of Products used in industrial, commercial and business applications.

Length of this Limited Lifetime Warranty

This Limited Lifetime Warranty shall begin on the date the Products are purchased from an authorized Company dealer. The design and manufacture of the product are warranted to be free from defects in material and workmanship under normal usage for the lifetime of the product (such period of time, the "Warranty Period"), after which this Limited Warranty shall expire and be of no further force or effect. THIS LIMITED WARRANTY IS IN LIEU OF ALL OTHER WARRANTIES, EXPRESS OR IMPLIED, INCLUDING BUT NOT LIMITED TO THE IMPLIED WARRANTIES OF FITNESS FOR A PARTICULAR PURPOSE AND MERCHANTABILITY.

Please note that some states/provinces (including Quebec) do not allow limitations on how long an implied warranty lasts, so the below limitations may not apply to you. TO THE MAXIMUM EXTENT PERMITTED BY APPLICABLE LAW, ANY IMPLIED WARRANTY, INCLUDING THE IMPLIED WARRANTIES OF MERCHANTABILITY AND OF FITNESS FOR A PARTICULAR PURPOSE, IS LIMITED TO THE STATUTORY PERIOD OR THE DURATION OF THIS WARRANTY, WHICHEVER IS SHORTER.

What is Warranted

Subject to the conditions and limitations set forth in this Limited Lifetime Warranty, the Company warrants to the Original Purchaser that during the Warranty Period the Products will be free from manufacturing and design defects when used under normal conditions and maintained properly.

The PVD finishes on this product are warranted for a period of three (3) years from the date of purchase. After this period, any wear, gloss reduction or etching of the finish due to normal use, cleaning practices, or water conditions will not be covered under this warranty.

What the Company Will Do

In the event that any Product fails to comply with this Limited Lifetime Warranty, the Company will either repair or provide a replacement of the defective Product at its cost. The Company shall elect the remedy in its sole and absolute discretion.

In the event the Company elects to replace any defective Product, the Company may provide, at its option, up to \$300 to be credited towards the installation of another Product. If the Company determines the Product needs to be undermounted with a silicone bond or soft seam in a solid surface or stone countertop, the replacement Product may, at the option of the Company, be another Product part of the Undermount Series. If the Product needs replacement by seamless integration (hard seamed) into a laminate, solid surface, granite or quartz countertop, the replacement Product shall be the Company's Top Mount Sink.

THE FOREGOING DESCRIBES THE COMPANY'S SOLE LIABILITY, AND THE ORIGINAL PURCHASER'S SOLE REMEDY, FOR ANY BREACH OF WARRANTY IN RESPECT OF THE PRODUCTS. THE COMPANY SHALL NOT BE LIABLE FOR, ANY SPECIAL, INCIDENTAL OR CONSEQUENTIAL DAMAGES (INCLUDING LABOR CHARGES TO REPAIR, REPLACE, INSTALL OR REMOVE THIS PRODUCT), WHETHER ARISING OUT OF BREACH OF ANY EXPRESS OR IMPLIED WARRANTY, BREACH OF CONTRACT, TORT, OR OTHERWISE.

How to Make a Claim

To make a claim under this Limited Lifetime Warranty, the Original Purchaser must notify the Company in writing or by phone of any claimed defect in a Product. Such notice must be given promptly following discovery of the claimed defect and in any event prior to the expiration of the applicable Warranty Period. The Original Purchaser must submit with such notice proof of purchase and proof of the date of purchase of the Product claimed to be defective. Notification shall be provided to:

USPS
Karran USA
Attention: CLAIMS
PO Box 667
Vincennes, IN 47591

Email: warranty@karran.com
Phone: 866-452-7726

The Company shall then promptly inspect, by means of digital photography or video supplied by the customer, the claimed defect and if such examination does disclose a defect covered by this warranty, shall, within thirty (30) days after inspection replace or repair the defective Product (as it shall elect in its sole and absolute discretion), subject to the terms set forth above.

Limitations

1. The Company shall not be liable under this Limited Lifetime Warranty for any of the following:

- A. Defects in or failure of the Products caused by accidents, physical abuse or misuse of the Products.
- B. Defects in or failure of the Products caused by installation of the Products not in strict adherence with the written instructions of the Company.
- C. Defects in or failure of the Products caused by improper care or maintenance of the Products including the use of abrasive cleaners such as powders, ammonia, alcohol or chlorine or the use of abrasive pads, steel wool or wire brushes.
- D. Breakage of the Product that is not due to a defect in the manufacture of the Products.
- E. Any damage to the Products caused by impact of foreign objects, earthquake, or other acts of God or by fire, explosion or other casualty.
- F. Defects in, failure of, or damage to the Products caused by materials adjacent to the Products.
- G. Any damage due to or resulting from heat.
- H. Damage to the Products caused by alteration after completion of their installation by anyone who is not authorized by the Company in writing, whether such alteration be by structural additions, changes, replacements or by equipment installation.
- I. Changes in the Products due to gloss reduction, scratching, staining or alkaline etching of the finish over time due to use, cleaning practices or water conditions, all of which are not manufacturing defects but are indicative of normal wear and tear.
- J. This warranty does not cover Products that were discontinued when purchased or display Products, whether such Products were purchased at discount outlets, unauthorized dealers, and/or sold on clearance. This warranty does not cover any free gifts included with purchase.

2. IN NO EVENT SHALL THE COMPANY BE LIABLE FOR CONSEQUENTIAL OR INCIDENTAL DAMAGES OF ANY KIND, INCLUDING, BUT NOT LIMITED TO, ANY DAMAGE TO THE PROPERTY IN WHICH A PRODUCT IS INSTALLED, ITS CONTENTS OR ANY PERSON THEREIN. NO FIELD REPRESENTATIVE, DISTRIBUTOR OR DEALER OF THE COMPANY IS AUTHORIZED TO MAKE ANY CHANGE OR MODIFICATION TO THIS LIMITED WARRANTY. SOME STATES/PROVINCES (INCLUDING QUEBEC) MAY NOT ALLOW LIMITATIONS ON OR THE EXCLUSION OF INCIDENTAL OR CONSEQUENTIAL DAMAGES, SO THE ABOVE EXCLUSIONS MAY NOT APPLY TO YOU.

The invalidity, illegality or unenforceability of any one or more provisions of this Limited Warranty shall in no way affect or impair the validity, legality or enforceability of the remaining provisions, which shall remain in full force and effect.

Legal Remedies

This warranty gives you specific legal rights, and you may also have other rights which vary from state to state and province to province.

02-25-26